

Single Phase Prepaid Meter



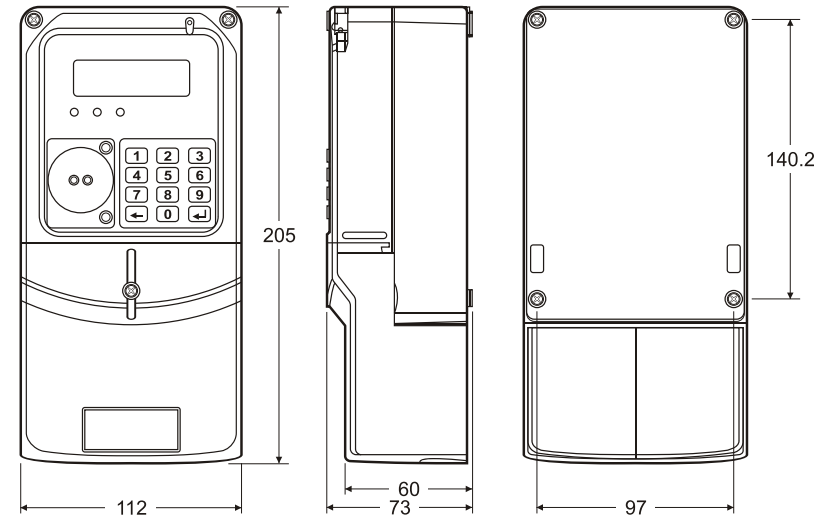
FEATURES & BENEFITS

- STS compliant
- Complies with IEC62055-41 and IEC61107 and IEC62055-31
- Class 1 & Class 2 Static active energy meter
- Metering accumulative total active energy is 0.01kWh
- Displays the voltage and current values
- LCD display with white backlight
- Remaining energy alarm and trip threshold, to remind customer of recharge
- Overload control

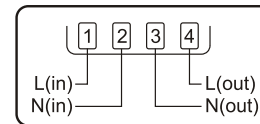
TECHNICAL SPECIFICATIONS

Rated current	5 (60) A
Accuracy	Class 1, 2
Life span	≥10 years
Power consumption	<10VA, 2W
Pulse constant	5 (60) A:1000imp/kWh
Dimensions	L:180.6mm x W:112mm x H:73mm (Short terminal cover)

SCHEMATIC (Long terminal cover)



CONNECTION DIAGRAM



LCD DISPLAY

